

# Assembly Instructions: 3184-FM (Teagan)

## IMPORTANT:

- ALL INSTALLATION WORK SHOULD BE DONE BY ACCREDITED PROFESSIONAL.
- SHUT OFF POWER SUPPLY AT FUSE OR CIRCUIT BREAKER!
- USE ONLY THE SPECIFIED BULBS. DO NOT EXCEED THE MAXIMUM WATTAGE!

For Customer Service, please contact the place of purchase.

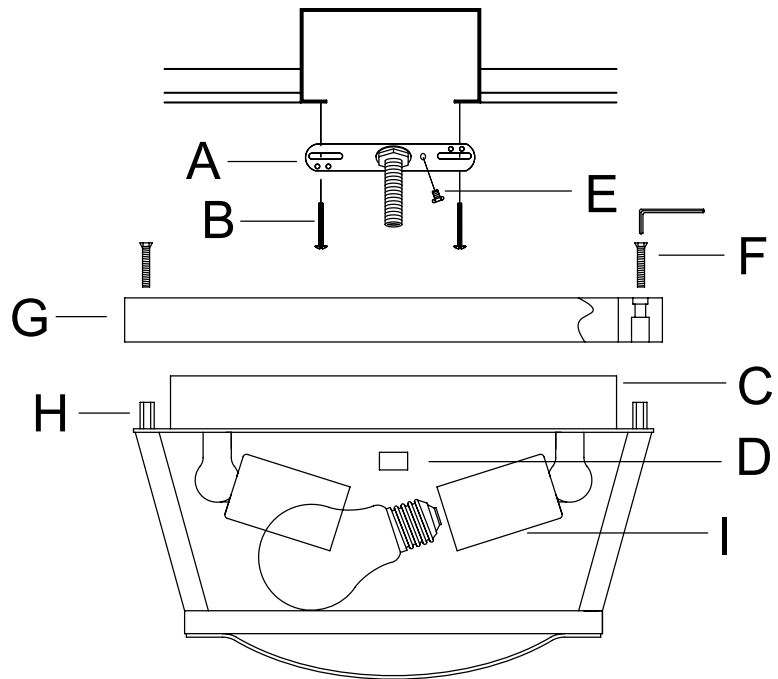
## PREPARING FOR INSTALLATION

Remove all of the contents from the carton. See the important notes above. Shut off the power at the circuit breaker and completely remove the old fixture from the ceiling, including the old mounting strap.

1. From the parts bag remove the mounting strap assembly. One end of the nipple should be attached to mounting strap (A) with hex nut in place and snug against the mounting strap (A). Attach mounting strap (A) to the junction box using mounting screws (B) and a screwdriver. Tighten securely. Pull wires through the center of the mounting strap and nipple.

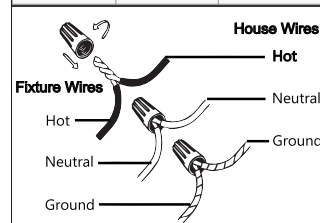
## CONNECTING THE WIRES

2. Have an assistant support the weight of the fixture while completing the wiring. Cut away excess wire. Attach the fixture's wires to the house wires which were pulled earlier from the junction box through the mounting strap (A). Connect black to black (or smooth); white to white (or ribbed); ground to ground (green or copper). Twist the ends of the wire pairs together, and then twist on a wire connector. Make sure all twists are in the same direction. If there is no ground wire (green or copper) coming from the junction box, locate ground screw (E) on the mounting strap and wrap the fixture's ground wire around the green ground screw (E). Use a screwdriver to secure ground screw (E) onto the mounting bracket. Tuck all wires neatly into the junction box.



How to Identify the Fixture's Wires

Hot	Neutral	Ground
Smooth	Ribbed	Bare Metal, Green, or Green Inner Thread
Black	White	
Black Inner Thread	White Inner Thread	



## FINISHING THE INSTALLATION

3. Place the wooden frame (G) on the fixture body and use screw (F) to secure the wooden frame to the fixture body.
4. Push canopy (C) up to the ceiling and thread finial (D) onto the exposed threads of nipple to secure the canopy in place.
5. Install socket cover (I) over the sockets.

Install light bulbs (not provided) in accordance with the fixture's specifications. Do not exceed the maximum recommended wattage.

Your installation is now complete. Turn on the power and test the fixture.

## CLEANING TIPS

Treat the fixture gently! Regular cleaning will reduce the need for deep cleaning. For regular cleaning, turn off the light and wipe down the fixture with a clean lint-free cotton or microfiber cloth. Never spray cleaner directly onto the fixture.